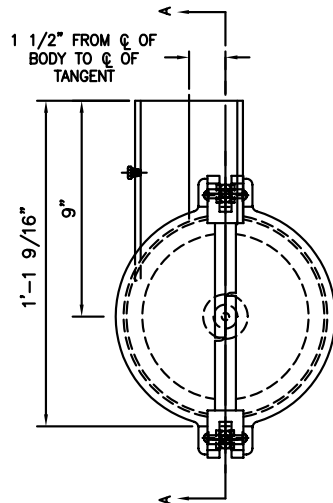


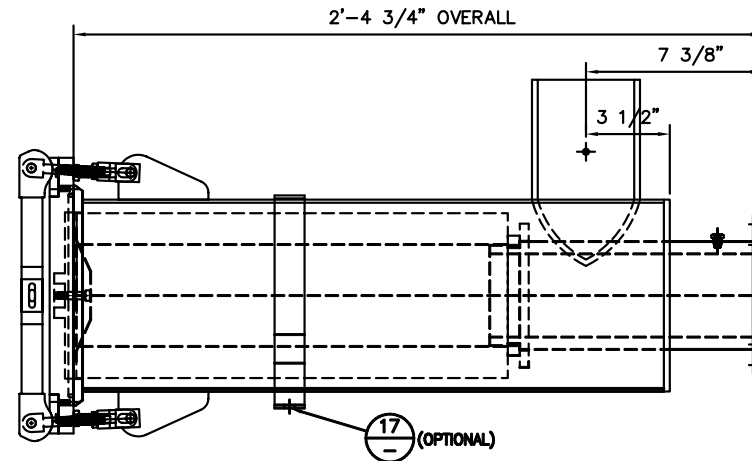
DET	QTY	DESCRIPTION	PART #
1	1	O-RING 1/4" WHITE SILICONE	ZCORSI000408000
2	1	FILTER BODY - 8" X 2'-4 3/4" AL	ZCHOAL080028120
3	2	CLEVIS-SS 3/4 x 3/4 x 2"	CSCYSS001202000
4	1	LID - AL PL 1" x 11 1/2"Ø	ZCCVAL010009030
5	2	CAM HANDLE - AL - 7/8" X 6 3/4"	ZCDCAL001406120
6	1	BOLT - 5/16"-18 x 1 1/4L SOCKET HEAD SHOULDER	HWSBSS97345A622
7	1	COMPRESSION SPRING-SS 1.460 OD x 2" L	SGWISS728335000
8	2	SWING BOLT - SS 3/8-16 x 2 1/8"	HWSBSS000602020
9	2	1/4" PIPE BRASS HEX HEAD PLUG	ZCPGBS0004C0000
9A	1	COMPUCHECK FITTING	ZCPNBS000000001
10	2	CAM BUSHING -TEFLON 3/8 x 1 5/8 x 2 1/4	ZCBUW011002040
10A	4	SCREW -SS FLAT HEAD 10-24 1/2"	HWFHSS#10C00080
11	1	CLEVIS PIN - SS 3/8 x 2 1/4"	HWCPS000602040
12	1	CLEVIS PIN - SS 3/8 x 1 1/4"	HWCPS000601040
13	2	ROLL PIN - SS 3/8 x 1 1/2"	HWRPSS000601080
14	2	SWING BOLT- SS 3/8-16 x 2 1/8" SLOTTED HOLE	HWSBSS000602021
15	2	HEX NUT - 3/8 - 16 SS	HWHNSS006C00000
16	1	GASKET - 1/2" X 4 1/8" WHITE SILICONE	ZCGKSI000804020
17	1	MERCURY MOUNTING BRACKET - 8" SS	ZCBCSSFMS905000

**NOTES:**

- 1) END VIEW SHOWS TRUE ROTATION AND/OR LOCATION OF ALL ITEMS.
- 2) ALL INTERIOR ITEMS SURFACES OF COVER AND SHELL MUST BE FREE OF DIRT, OIL, WELD SLAG, SPATTER, OR ANY POTENTIALLY LOOSE CONTAMINANTS.
- 3) MAXIMUM OPERATING PRESSURE: 75 PSI.
- 4) OPERATING TEMPERATURE RANGE: -40° TO 400°F.
- 5) LEAK TEST: 75 PSI AIR.



SIDE VIEW



FRONT VIEW

THIS DRAWING, CONCEPTS, AND DESIGNS SHOWN THEREON ARE THE EXCLUSIVE PROPERTY OF RBT SERVICES, INC AND ARE NOT TO BE USED OR REPRODUCED IN WHOLE OR IN PART, WITHOUT THE WRITTEN CONSENT OF RBT SERVICES, INC.

0	./././04		
REV. #	DATE:	DESCRIPTION:	BY:

**RAIL BARGE TRUCK SERVICES, INC.**

218 CORPORATE DRIVE  
ELIZABETHTOWN, KY 42701  
PHONE: (270) 763-6649  
FAX: (270) 763-6653  
e-mail: sales@rbtsi.com

ZCASAL082840002  
ZC PNEUMATIC FILTER  
END AND SECTION VIEWS  
ASSEMBLY DETAIL

DRAWN BY: TDN	DRAWN DATE: 10/07/04	APPROVED BY:	APPROVED DATE:
CHECKED BY:	CHECKED DATE: 10/08/04	SHEET NUMBER: 01	OF 01
CUSTOMER:	JOB NO:	SCALE: 1 1/2"=1'-0"	
LOCATION:	DWG NO: ZC9000-02-A		