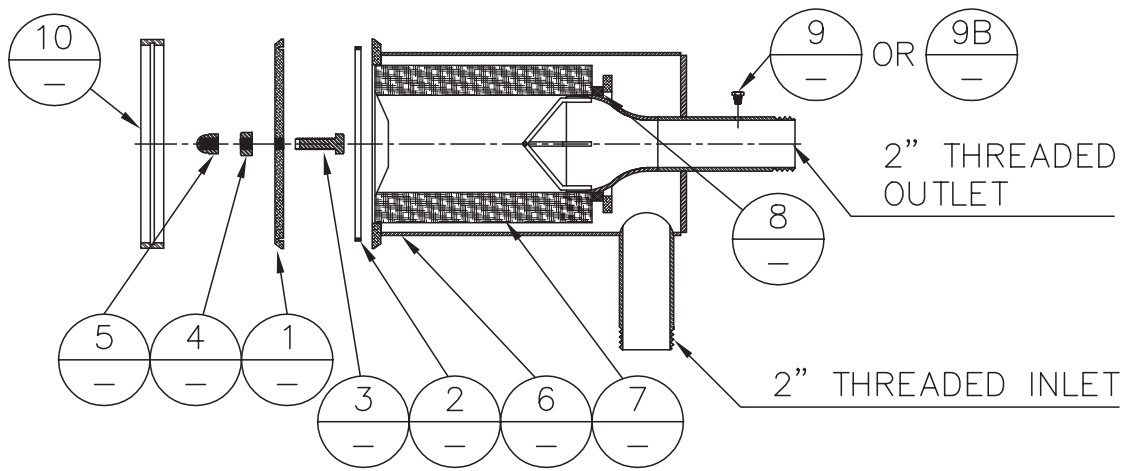


BILL OF MATERIAL LIST					
PART NO.	WEIGHT	DET	QTY	DESCRIPTION	REMARKS
STANDARD COMPONENTS					
-	-	1	1	ALUMINUM LID	-
-	-	2	1	1/4" WHITE SILICONE O-RING	-
-	-	3	1	1/2-13 UNC x 1 3/4" SS BOLT	-
-	-	4	1	1/2"φ SS SEALING LOCK NUT	-
-	-	5	1	1/2"φ ACORN NUT	-
-	-	6	1	ALUMINUM FILTER HOUSING	-
-	-	7	1	FILTER ELEMENT - 1 MICRON AND OIL	-
-	-	8	1	1/2" THICK WHITE SILICONE GASKET	-
-	-	9	2	1/4-18 NPT BRASS PLUG (AS REQ'D)	-
-	-	9A	1	COMPUCHECK FITTING - RED (HOSE)	-
-	-	9B	1	COMPUCHECK FITTING-CLEAR (HOSE)	-
-	-	10	1	STAINLESS STEEL BAND CLAMP	-
OPTIONAL COMPONENTS					
-	-	11	1	STAINLESS STEEL FOOT BRACKET	-
-	-	12	1	ELECTRONIC DIFFERENTIAL GAUGE	NOT SHWN
-	-	13	1	MECHANICAL DIFFERENTIAL GAUGE	NOT SHWN

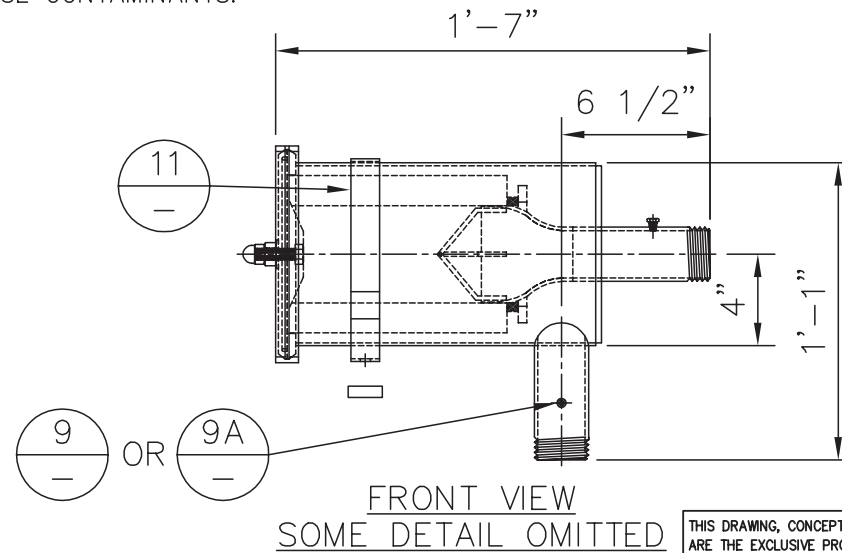
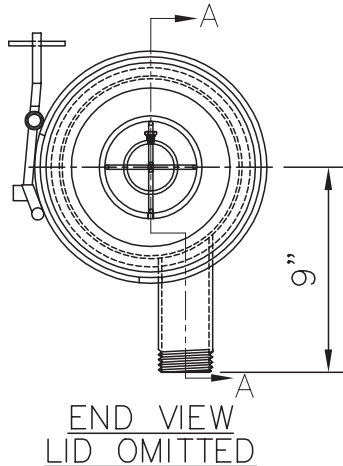


SECTION A-A  
MOUNTING BRACKET OMITTED

9A & 9B FOR TEST  
GUAGES ONLY

**NOTES:**

- 1) END VIEW SHOWS TRUE ROTATION AND/OR LOCATION OF ALL ITEMS.
- 2) ALL INTERIOR ITEMS SURFACES OF COVER AND SHELL MUST BE FREE OF DIRT, OIL, WELD SLAG, SPATTER, OR ANY POTENTIALLY LOOSE CONTAMINANTS.
- 3) MAXIMUM OPERATING PRESSURE: 75 PSI.
- 4) OPERATING TEMPERATURE RANGE: -40° TO 400°F.
- 5) LEAK TEST: 75 PSI AIR.



THIS DRAWING, CONCEPTS, AND DESIGNS SHOWN THEREON ARE THE EXCLUSIVE PROPERTY OF RBT SERVICES, INC AND ARE NOT TO BE USED OR REPRODUCED IN WHOLE OR IN PART, WITHOUT THE WRITTEN CONSENT OF RBT SERVICES, INC.

REV. #	DATE:	DESCRIPTION:	BY:	DESCRIPTION:
				
218 CORPORATE DRIVE ELIZABETHTOWN, KY 42701 PHONE: (270) 763-6649 FAX: (270) 763-6653 e-mail: sales@rbtsi.com				

ZC II FILTER  
END AND SECTION VIEWS  
ASSEMBLY DETAIL

DRAWN BY: RDB	DRAWN DATE: 04/26/00	APPROVED BY:	APPROVED DATE:
CHECKED BY: BH JR	CHECKED DATE: 04/26/00	SHEET NUMBER:	OF
CUSTOMER:	JOB NO:	SCALE: 1 1/2"=1'	
LOCATION:	DWG NO:	ZC-02-01A	