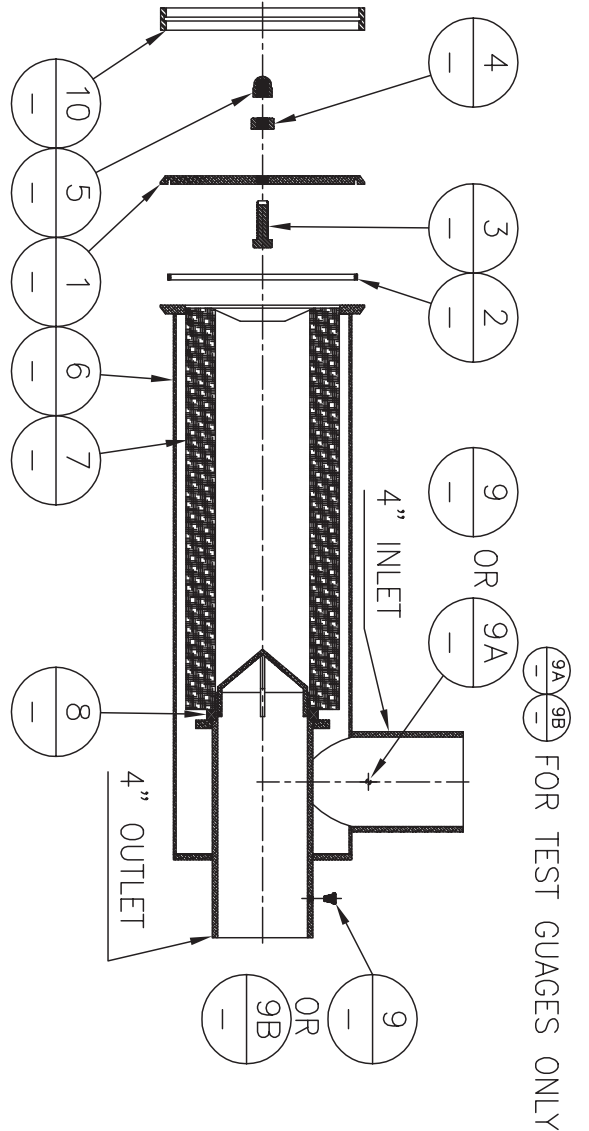
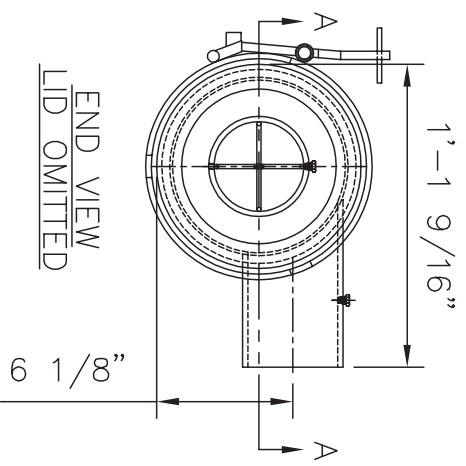


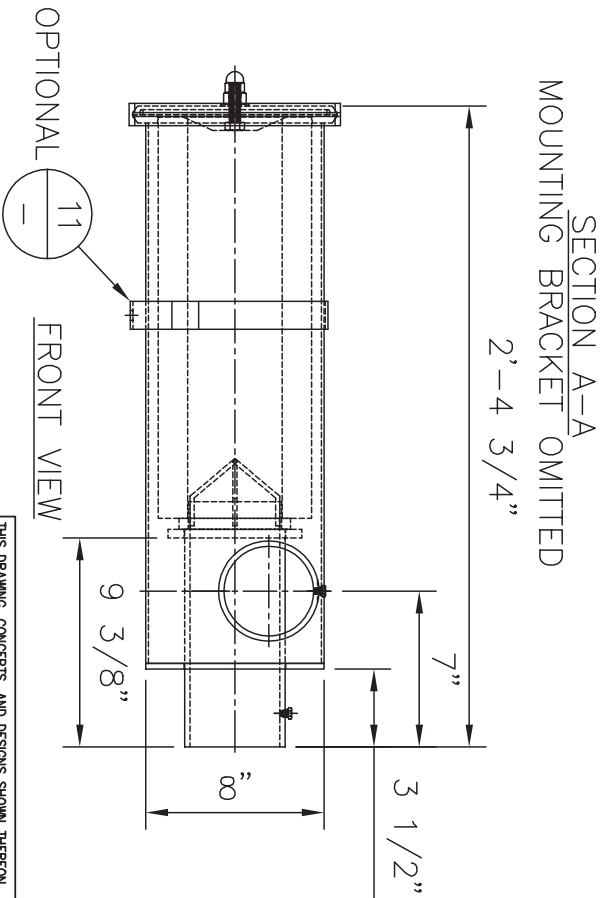
BILL OF MATERIAL LIST					
PART NO.	WEIGHT	DET	QTY	DESCRIPTION	REMARKS
-	-	-	1	STANDARD	-
-	-	-	1	ALUMINUM LID	-
-	-	-	2	1/4" WHITE SILICONE O-RING	-
-	-	-	3	1/2-13 UNC x 1 3/4" SS BOLT	-
-	-	-	4	1/2" SS SEALING LOCK NUT	-
-	-	-	5	1/2" ACORN NUT	-
-	-	-	6	ALUMINUM FILTER HOUSING	-
-	-	-	7	FILTER ELEMENT-1 MICRON AND OIL	-
-	-	-	8	1/2" THICK WHITE SILICONE GASKET	-
-	-	-	9	1/4-18 NPT BRASS PLUGS (AS REQ'D)	-
-	-	-	9A	COMPUCHECK FITTING-RED (HOSE)	-
-	-	-	9B	COMPUCHECK FITTING-CLEAR (HOSE)	-
-	-	-	10	STAINLESS STEEL BAND CLAMP	-
-	-	-	-	OPTIONAL	-
-	-	-	11	STAINLESS STEEL FOOT BRACKET	-
-	-	-	12	ELECTRONIC DIFFERENTIAL GAUGE(NOT SHOWN)	-
-	-	-	13	MECHANICAL DIFFERENTIAL GAUGE(NOT SHOWN)	-



- NOTES:
- 1) END VIEW SHOWS TRUE ROTATION AND/OR LOCATION OF ALL ITEMS.
  - 2) ALL INTERIOR ITEMS SURFACES OF COVER AND SHELL MUST BE FREE OF DIRT, OIL, WELD SLAG, SPATTER, OR ANY POTENTIALLY LOOSE CONTAMINANTS.
  - 3) MAXIMUM OPERATING PRESSURE: 75 PSI.
  - 4) OPERATING TEMPERATURE RANGE: -40° TO 400°F.
  - 5) LEAK TEST: 75 PSI AIR.



END VIEW  
LID OMITTED



SECTION A-A  
MOUNTING BRACKET OMITTED  
FRONT VIEW

1	11/09/99	ADDED ITEMS 9A, 9B, 12, & 13	ROB
REV. #	DATE	DESCRIPTION	BY:

DRAWN BY:	ROB	CHECKED BY:	BH JR
DRAWN DATE:	06/03/99	CHECKED DATE:	06/03/99
APPROVED BY:		APPROVED DATE:	

218 CORPORATE DRIVE  
ELIZABETHTOWN, KY 42704  
PHONE: (270) 763-6649  
FAX: (270) 763-6653  
e-mail: sales@rbtsl.com

ZC PNEUMATIC FILTER  
END AND SECTION VIEWS  
ASSEMBLY DETAIL



RAIL BARGE T RUCK  
SERVICES, INC.

THIS DRAWING, CONCEPTS, AND DESIGNS SHOWN THEREON ARE THE EXCLUSIVE PROPERTY OF RBT SERVICES, INC. AND ARE NOT TO BE USED OR REPRODUCED IN WHOLE OR IN PART, WITHOUT THE WRITTEN CONSENT OF RBT SERVICES, INC.
DWG NO: ZC-01-01A