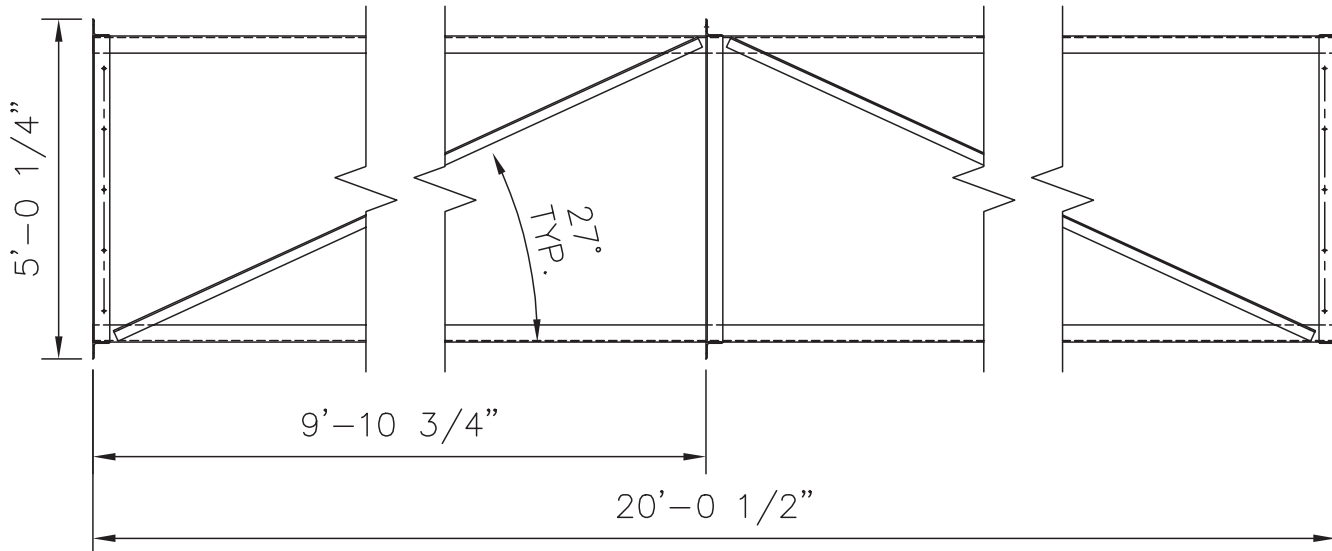


20'-0 1/2"

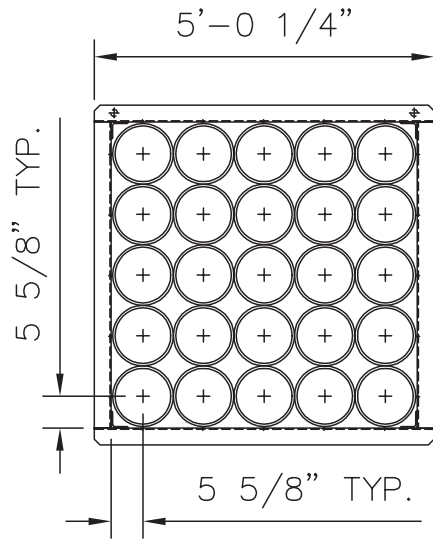
PLAN VIEW



9'-10 3/4"

20'-0 1/2"

SIDE ELEVATION



END ELEVATION

THIS DRAWING, CONCEPTS, AND DESIGNS SHOWN THEREON ARE THE EXCLUSIVE PROPERTY OF RBT SERVICES, INC AND ARE NOT TO BE USED OR REPRODUCED IN WHOLE OR IN PART, WITHOUT THE WRITTEN CONSENT OF RBT SERVICES, INC.

0	05/14/03	RELEASED TO SHOP	RDB
REV. #	DATE:	DESCRIPTION:	BY:
			218 CORPORATE DRIVE ELIZABETHTOWN, KY 42701 PHONE: (270) 763-6649 FAX: (270) 763-6653 e-mail: sales@rbtsi.com

DESCRIPTION: 25 COMPARTMENT HOSE STORAGE RACK FOR 6"Ø x 20'-0" HOSES GENERAL ARRANGEMENT

DRAWN BY: RDB	DRAWN DATE: 05/14/03	APPROVED BY:	APPROVED DATE:
CHECKED BY: RDB	CHECKED DATE: 05/14/03	SHEET NUMBER: 01 OF	SCALE: 1"=1'-0"
CUSTOMER:	LOCATION:	DWG NO: SR-01-GA	