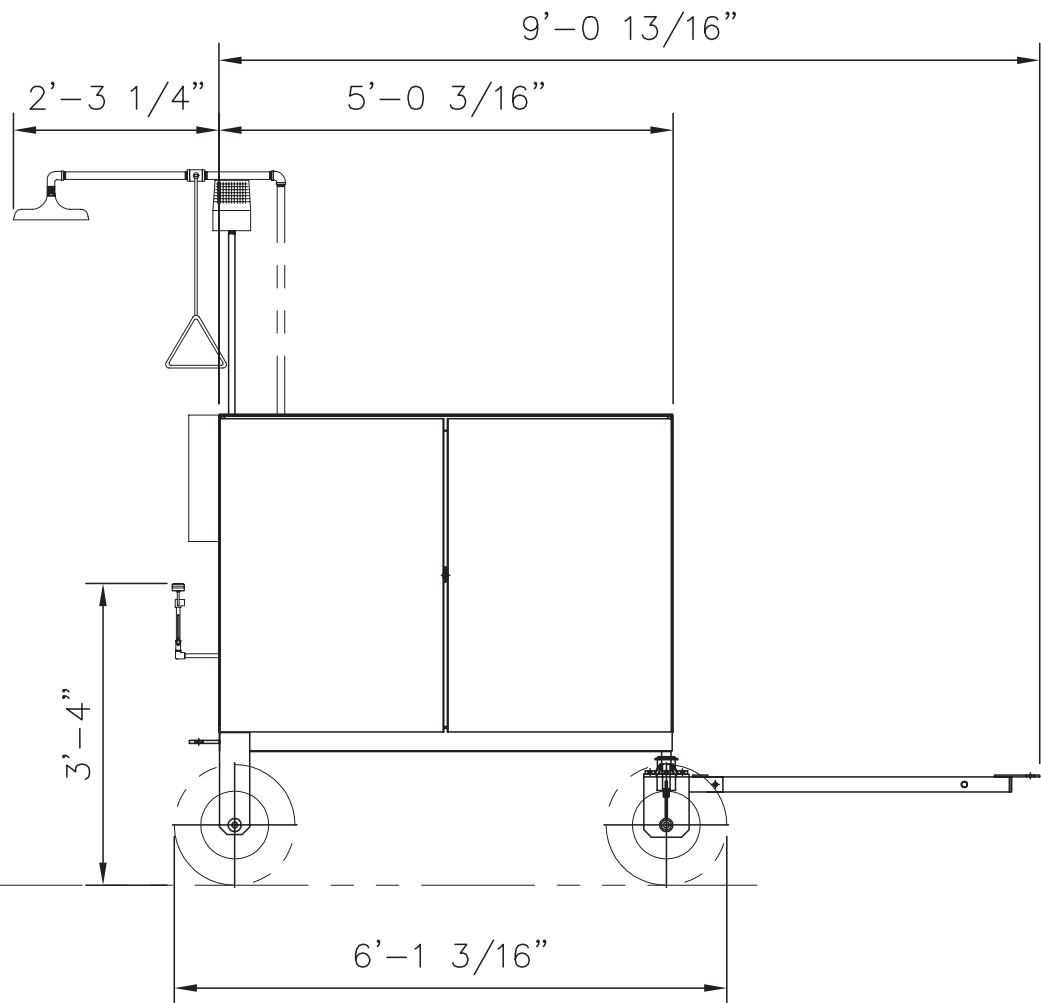


END ELEVATION
(EYEWASH END)



SIDE ELEVATION

80

0	05/08/03	RELEASED FOR REVIEW	RDB
REV. #	DATE:	DESCRIPTION:	BY:
			218 CORPORATE DRIVE ELIZABETHTOWN, KY 42701 PHONE: (270) 763-6649 FAX: (270) 763-6653 e-mail: sales@rbtsi.com

DESCRIPTION: STANDARD SAFETY SHOWER
CABINET MODEL SS125
GENERAL ARRANGEMENT

THIS DRAWING, CONCEPTS, AND DESIGNS SHOWN THEREON ARE THE EXCLUSIVE PROPERTY OF RBT SERVICES, INC AND ARE NOT TO BE USED OR REPRODUCED IN WHOLE OR IN PART, WITHOUT THE WRITTEN CONSENT OF RBT SERVICES, INC.			
DRAWN BY: RDB	DRAWN DATE: 05/08/03	APPROVED BY:	APPROVED DATE:
CHECKED BY: SWD	CHECKED DATE: 05/08/03	SHEET NUMBER: GA-01A0F	
CUSTOMER:	LOCATION:	JOB NO:	SCALE: 1/2"=1'
		DWG NO: SS125-GA-01A	