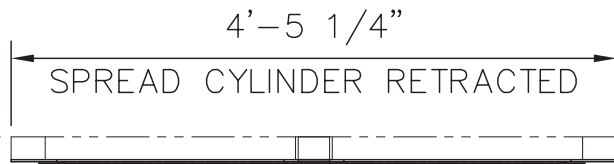
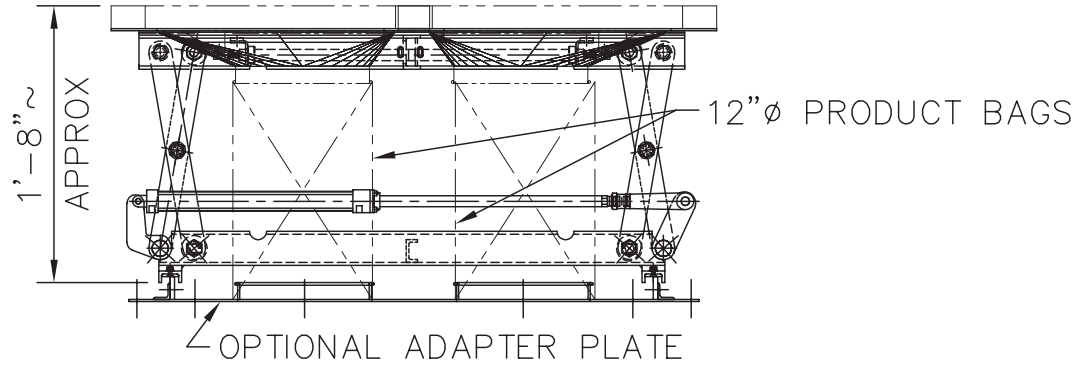


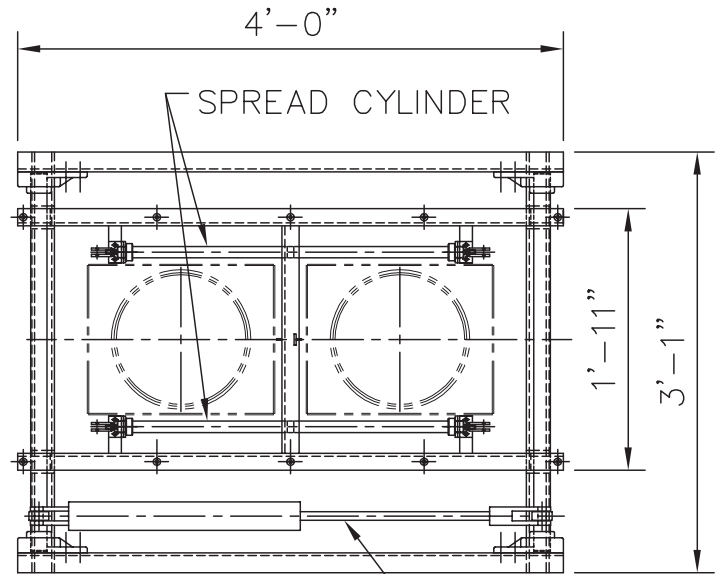
6'-5 1/4"
SPREAD CYLINDER EXTENDED



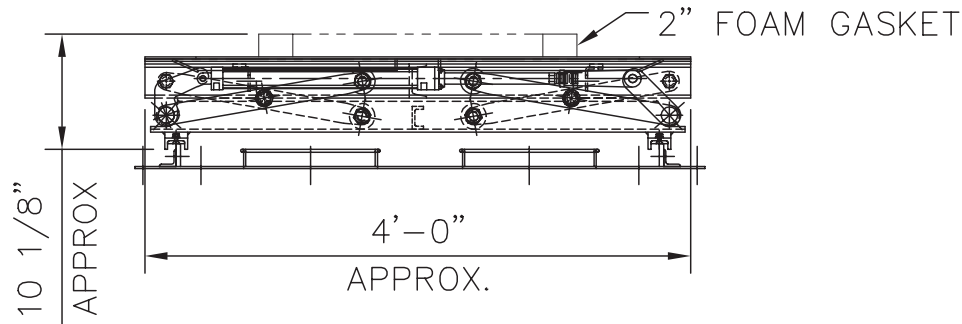
4'-5 1/4"
SPREAD CYLINDER RETRACTED



RAISED POSITION



PLAN VIEW



LOWERED POSITION

THIS DRAWING, CONCEPTS, AND DESIGNS SHOWN THEREON ARE THE EXCLUSIVE PROPERTY OF RBT SERVICES, INC AND ARE NOT TO BE USED OR REPRODUCED IN WHOLE OR IN PART, WITHOUT THE WRITTEN CONSENT OF RBT SERVICES, INC.

0	3/10/01	INITIAL RELEASE	SC
REV. #	DATE:	DESCRIPTION:	BY:

218 CORPORATE DRIVE
ELIZABETHTOWN, KY 42701
PHONE: (270) 763-6649
FAX: (270) 763-6653
e-mail: sales@rbtsi.com

DESCRIPTION:
BOOT SEAL
MODEL 1324
ELEVATION VIEW
W/SPREAD CYLINDERS

DRAWN BY: SC	DRAWN DATE: 02/28/01	APPROVED BY: BH	APPROVED DATE: 02/28/02
CHECKED BY: SWD	CHECKED DATE: 02/28/01	SHEET NUMBER:	OF 3/4"=1'
CUSTOMER:	LOCATION:	JOB NO:	DWG NO: 1324-001A