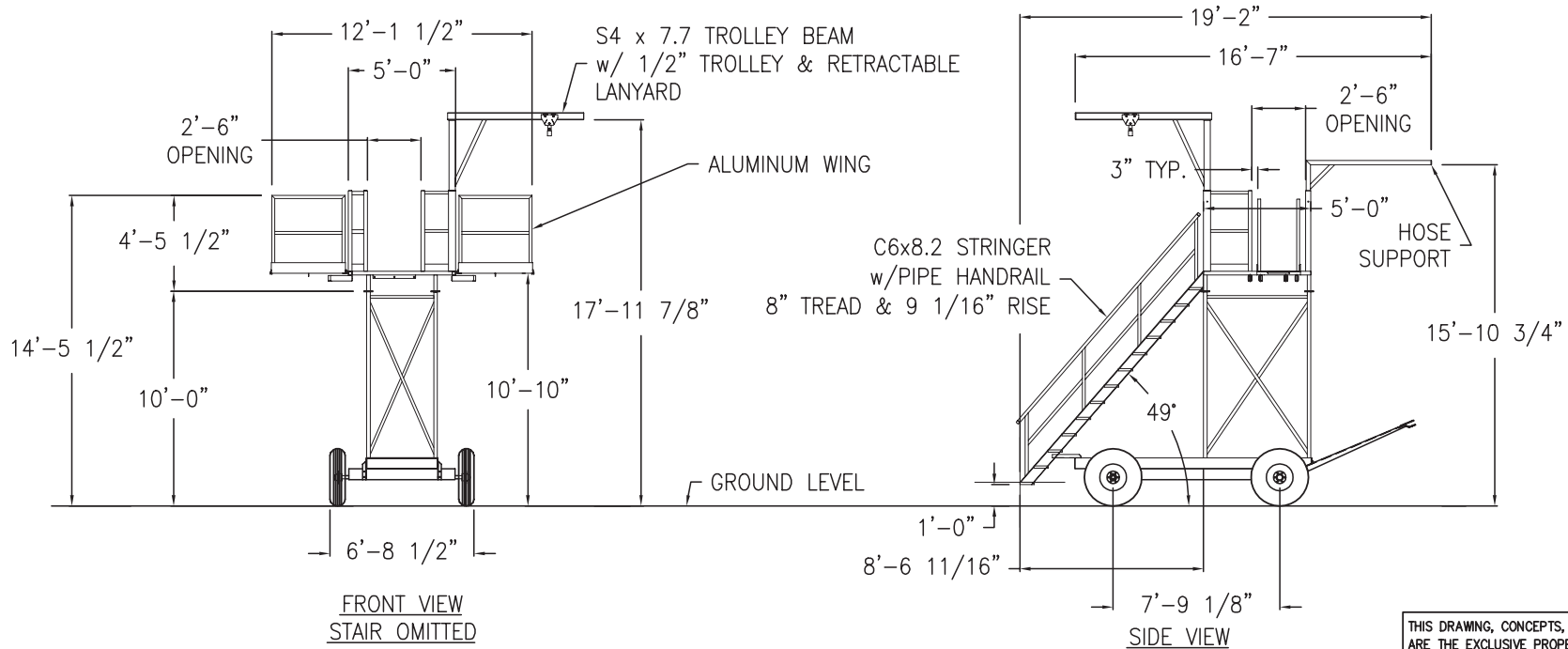


PLAN VIEW



THIS DRAWING, CONCEPTS, AND DESIGNS SHOWN THEREON ARE THE EXCLUSIVE PROPERTY OF RBT SERVICES, INC AND ARE NOT TO BE USED OR REPRODUCED IN WHOLE OR IN PART, WITHOUT THE WRITTEN CONSENT OF RBT SERVICES, INC.

0	2/8/99	ISSUED FOR REVIEW	RDB
REV. #	DATE:	DESCRIPTION:	BY:
			218 CORPORATE DRIVE ELIZABETHTOWN, KY 42701 PHONE: (270) 763-6649 FAX: (270) 763-6653 e-mail: sales@rbtsi.com

DESCRIPTION:

MODEL PP106  
ELEVATED PLATFORMS  
W/FALL PROTECTION  
FULL ASSEMBLY

DRAWN BY: RDB	DRAWN DATE: 2/8/99	APPROVED BY:	APPROVED DATE:
CHECKED BY:	CHECKED DATE:	SHEET NUMBER:	OF
CUSTOMER:	JOB NO:	SCALE:	
LOCATION:	DWG NO:	OS1	